

SERIES 03

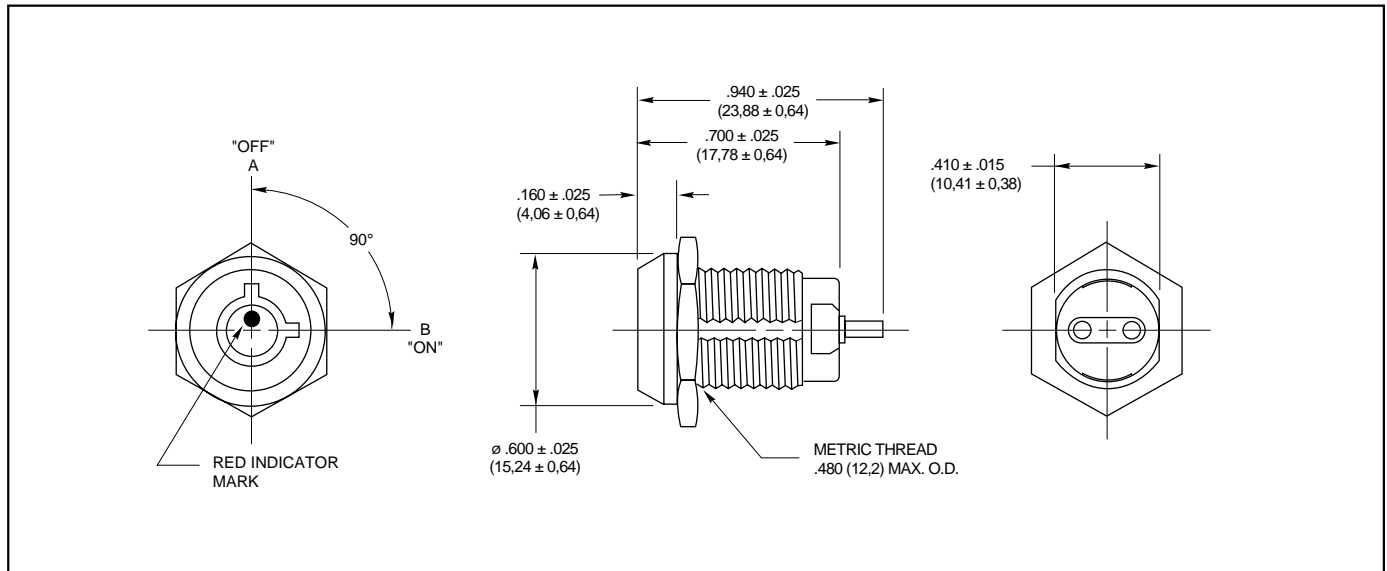
Low Cost, Miniature On/Off

FEATURES

- Miniature Size, Requires 0.6" Panel Space
- 2 Keyed Alike Keys Supplied
- Operating Position Indicator



DIMENSIONS In inches (and millimeters)



Rotary Switches

SPECIFICATIONS

Rating Criteria

Contact Rating: 2 Amps at 120 Vac or 1 Amp at 240 Vac, resistive load

Electrical Life: 20,000 operations or 10,000 cycles

Life Limiting Criteria:

Contact Resistance: 10 Milliohms maximum initially

Insulation Resistance: 500 Megohms minimum at 500 Vdc

Voltage Breakdown: 1000 Vac RMS between mutually insulated parts.

Materials and Finishes

Body of Switch, Bezel, Core: Zinc, chrome-plated

Contact System: Brass, silver-plated

Terminals: Turret type, brass, silver-plated

Keys: Brass, nickel-plated

OPTIONS

- Additional Keys
- Key Marking; Custom Key ID
- Black Chrome Finish
- Gold contact plating

ORDERING INFORMATION

Part Number: 03S501

Available from your local Grayhill Distributor.

For prices and discounts, contact a local Sales Office, CHINA(Beijing) Phone:(010)6851-9097

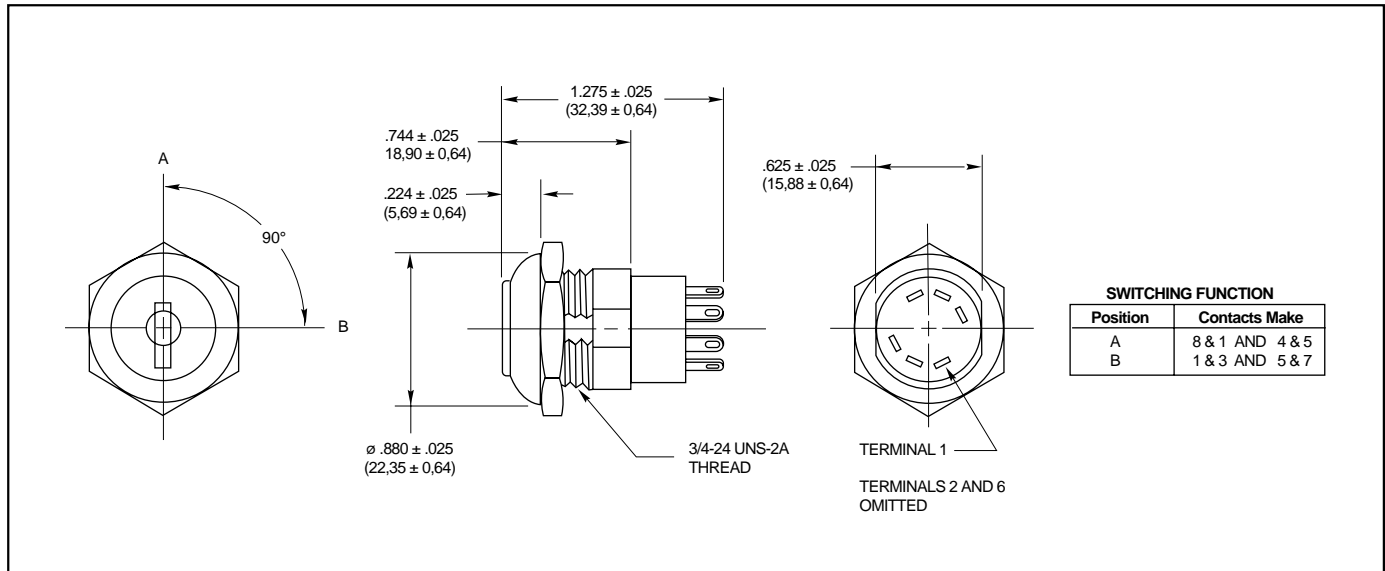
SERIES 03
Low Cost, DPDT

FEATURES

- Two Positions, DPDT Function
- 2 Keyed Alike Keys Supplied
- Key Pulls in Each Position
- Drop-In Replacement for Industry Standard



DIMENSIONS In inches (and millimeters)



SPECIFICATIONS

Rating Criteria

Contact Rating: 4 Amps at 120 Vac or 2 Amps at 240 Vac, resistive load

Electrical Life: 20,000 operations or 10,000 cycles

Life Limiting Criteria:

Contact Resistance: less than 10 milliohms initially

Insulation Resistance: 1000 megohms min. at 500 Vdc

Voltage Breakdown: 1000 Vac RMS between mutually insulated parts.

Materials and Finishes

Switch Housing: Glass-filled polyester

Lock and Bezel: Zinc alloy, nickel-plated

Mounting Nut: Brass or steel, nickel or bright zinc-plated

Contact System: Brass, silver-plated

Terminals: Solder lug type, brass, silver-plated

Keys: Brass, nickel-plated

OPTIONS

- Additional Keys
- Key Marking; Custom Key ID
- Black Chrome Finish
- Stiffer or lighter switch "feel"
- Gold contact plating

ORDER INFORMATION

Part Number: 03S603

Available from your local Grayhill Distributor.

For prices and discounts, contact a local Sales Office in CHINA(Beijing): Fax: (010)6851-5578

SERIES 03

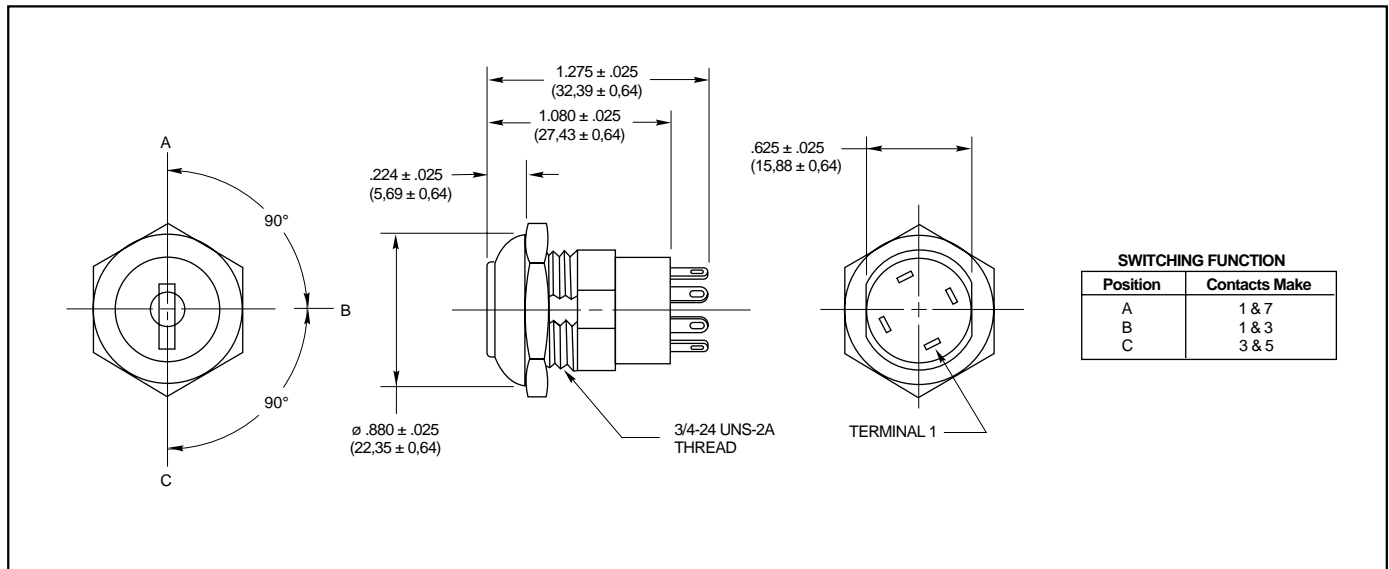
Low Cost, Progressive Contact

FEATURES

- Three Positions, Progressive Contact
- 2 Keyed Alike Keys Supplied
- Key Pulls in Each Position
- Drop-In Replacement for Industry Standard



DIMENSIONS In inches (and millimeters)



Rotary Switches

SPECIFICATIONS

Rating Criteria

Contact Rating: 4 Amps at 120 Vac or 2 Amps at 240 Vac, resistive load

Electrical Life: 10,000 cycles of operation

Life Limiting Criteria:

Contact Resistance: less than 10 Milliohms initially

Insulation Resistance: 1000 Megohms min. at 500 Vdc

Voltage Breakdown: 1000 Vac RMS between mutually insulated parts

Materials and Finishes

Switch Housing: Glass-filled polyester

Lock and Bezel: Zinc alloy, nickel-plated

Mounting Nut: Brass or steel, nickel or bright zinc-plated

Contact System: Brass, silver-plated

Terminals: Solder lug type, brass, silver-plated

Keys: Brass, nickel-plated

OPTIONS

- Additional Keys
- Key Marking; Custom Key ID
- Black Chrome Finish
- Stiffer or lighter switch "feel"
- Gold contact plating

ORDERING INFORMATION

Part Number: 03S604

Available from your local Grayhill Distributor

For prices and discounts, contact a local Sales Office in CHINA(Beijing): Phone: (010)6851-9097

SERIES 03

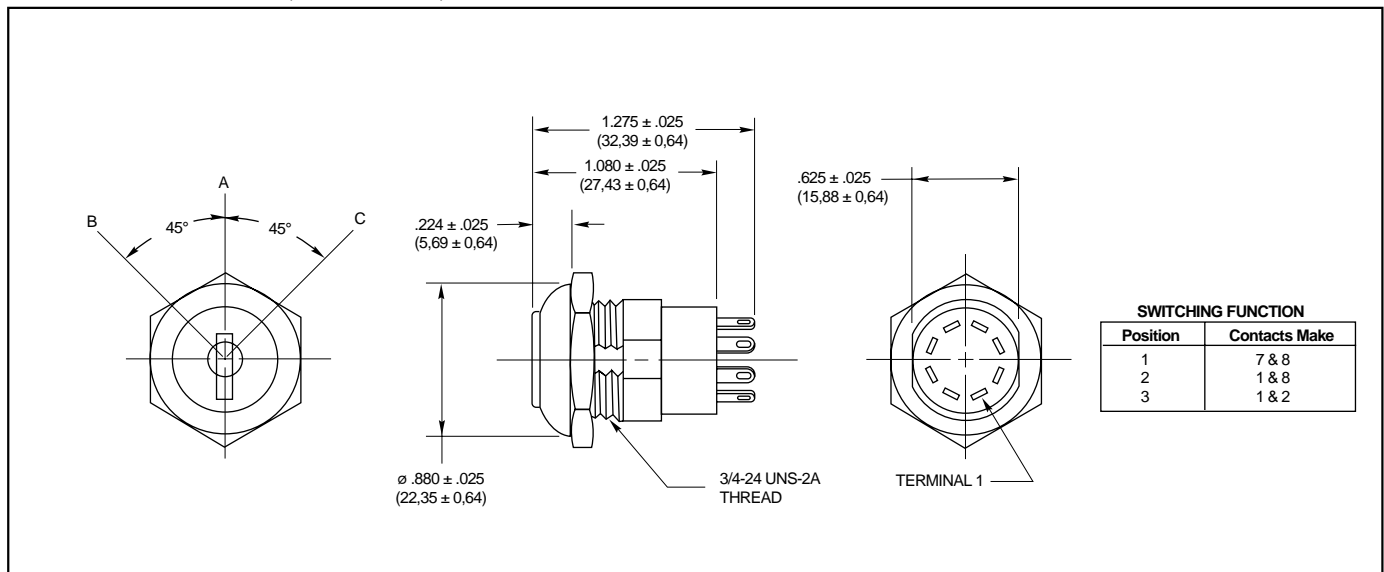
Low Cost, Position, Center Pull

FEATURES

- Three Positions, Progressive Contact
- 2 Keyed Alike Keys Supplied
- Key Pulls in Center Position
- Drop-In Replacement for Industry Standard



DIMENSIONS In inches (and millimeters)



Rotary Switches

SPECIFICATIONS

Rating Criteria

Contact Rating: 4 Amps at 120 Vac or 2 Amps at 240 Vac, resistive load

Electrical Life: 10,000 cycles of operation

Life Limiting Criteria:

Contact Resistance: less than 10 milliohms initially

Insulation Resistance: 1000 megohms minimum at 500 Vdc

Voltage Breakdown: 1000 Vac RMS between mutually insulated parts

Materials and Finishes

Switch Housing: Glass-filled polyester

Lock and Bezel: Zinc alloy, nickel-plated

Mounting Nut: Brass or steel, nickel or bright zinc-plated

Contact System: Brass, silver-plated

Terminals: Solder lug type, brass, silver-plated

Keys: Brass, nickel-plated

OPTIONS

- Different Key Pulls
- Additional Keys
- Key Marking; Custom Key ID
- Black Chrome Finish
- Stiffer or lighter switch "feel"
- Gold contact plating

ORDERING INFORMATION

Part Number: 03S606

Available from your local Grayhill Distributor.

For prices and discounts, contact a local Sales Office In CHINA (Beijing) Fax:(010)6851-5578

SERIES 03

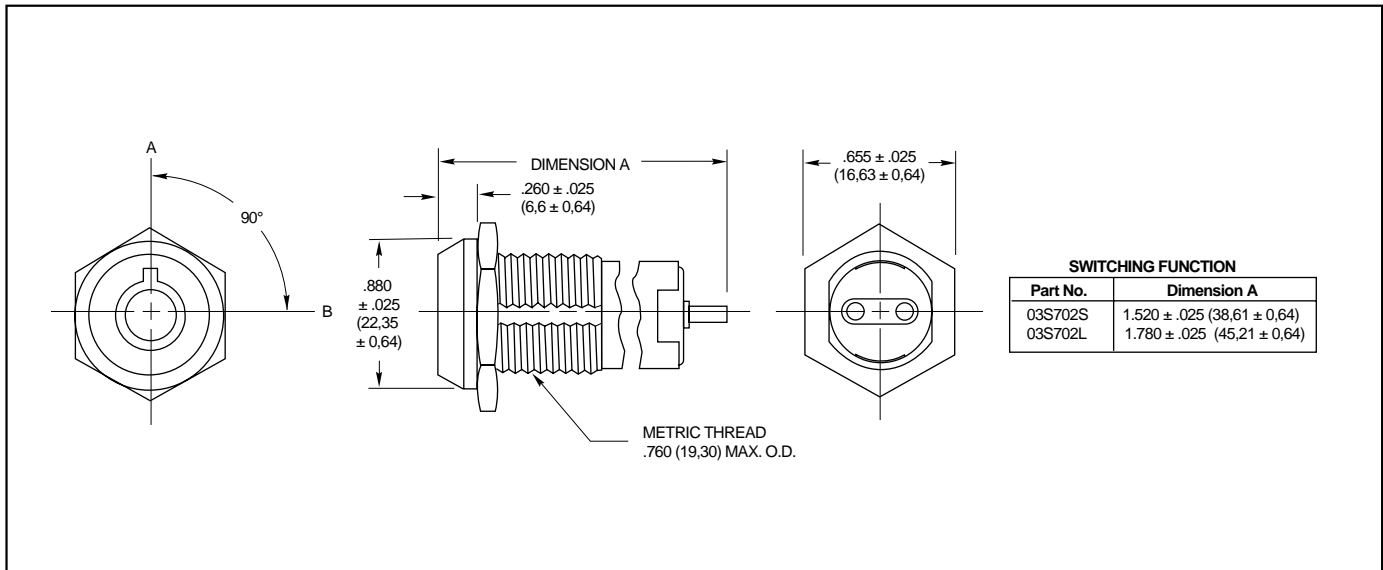
Low Cost, On/Off, Select Key Pull

FEATURES

- Choose Key Pull Location
- 2 Keyed Alike Keys Supplied



DIMENSIONS In inches (and millimeters)



Rotary Switches

SPECIFICATIONS

Rating Criteria

Contact Rating: 4 Amps at 120 Vac or 2 Amps at 240 Vac, resistive load

Electrical Life: 20,000 operations or 10,000 cycles

Life Limiting Criteria:

Contact Resistance: less than 10 milliohms initially

Insulation Resistance: 500 megohms min. at 500 Vdc

Voltage Breakdown: 1500 Vac RMS between mutually insulated parts

Materials and Finishes

Body of Switch, Bezel, Core: Brass or zinc die cast

Contact System: Brass, silver-plated

Terminals: Turret type, brass, silver-plated

Keys: Brass, nickel-plated

OPTIONS

- Additional Keys
- Key Marking; Custom Key ID
- Black Chrome Finish
- Gold Contact Plating

ORDERING INFORMATION

Part Number	Description
03S702S	Key pull at A and B
03S702L	Key pull at A only

Available from your local Grayhill Distributor

For prices and discounts, contact a local Sales Office, CHINA(Beijing) Phone: (010)6851-9097